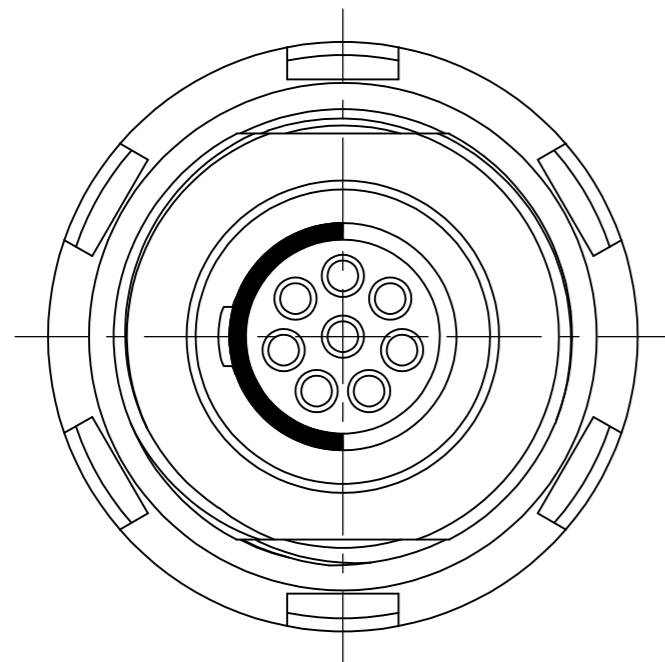
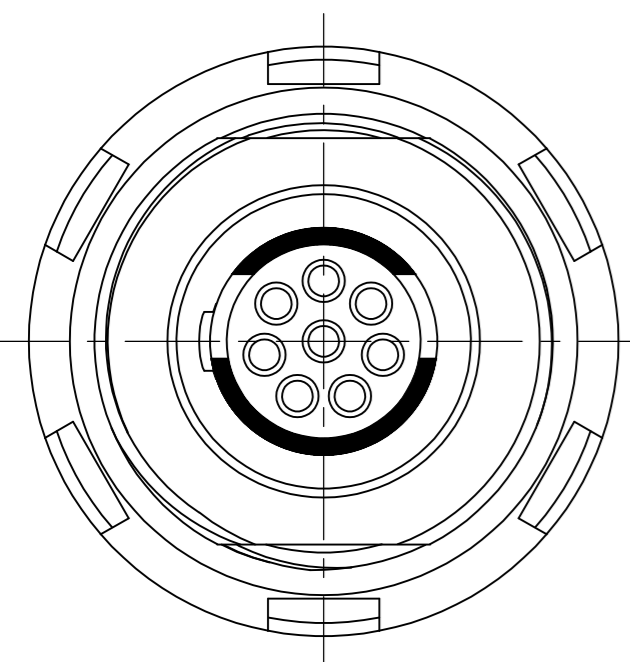
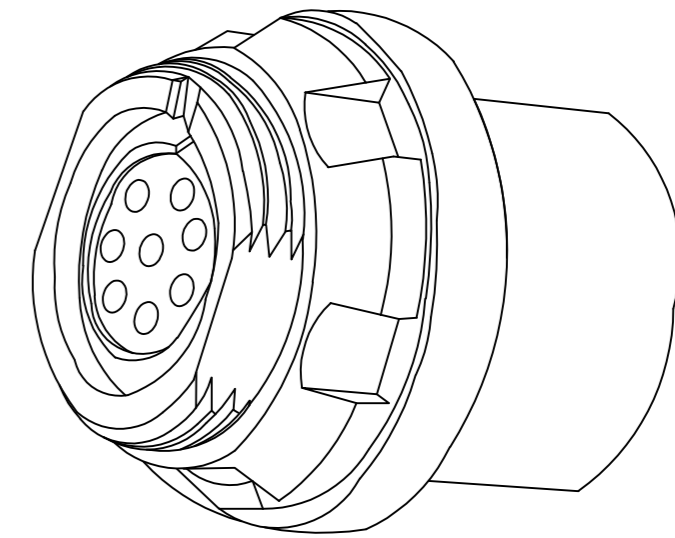
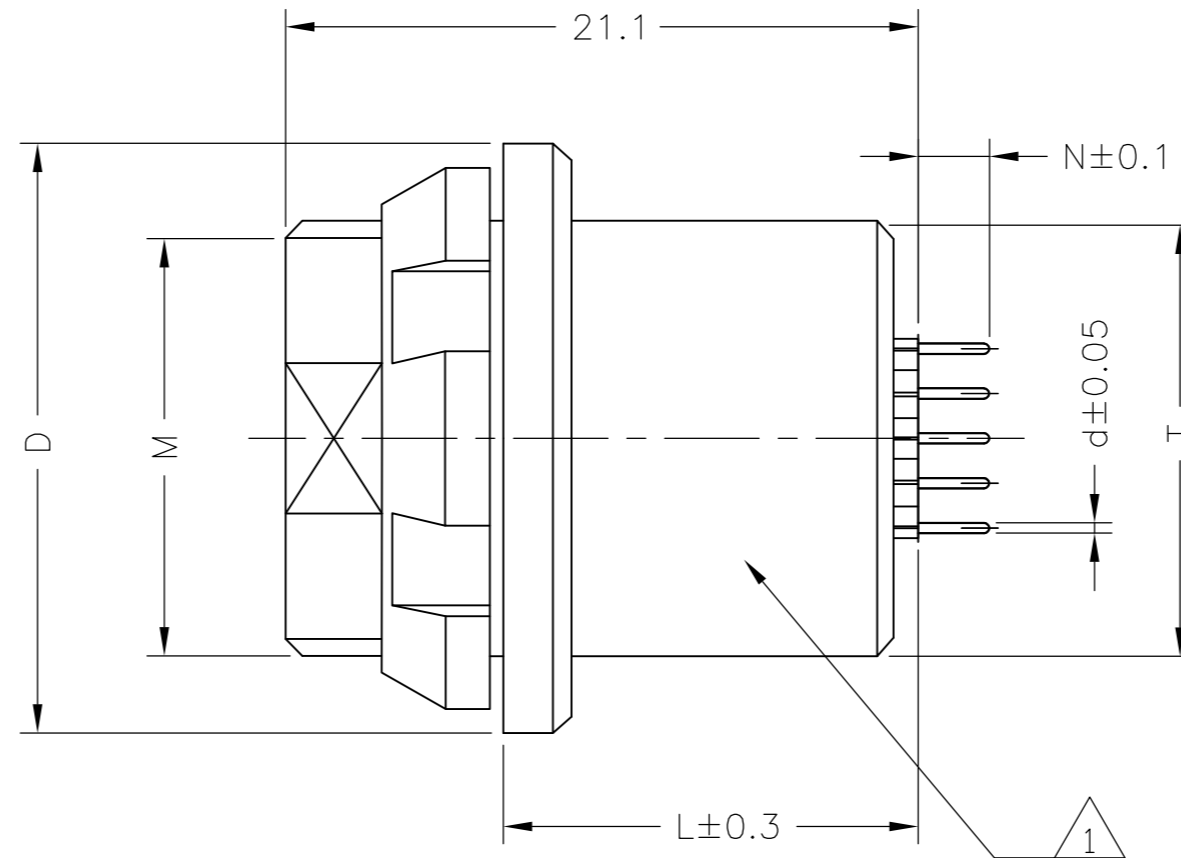


THIS DRAWING IS UNPUBLISHED. RELEASED FOR PUBLICATION  
 © COPYRIGHT - By - ALL RIGHTS RESERVED.

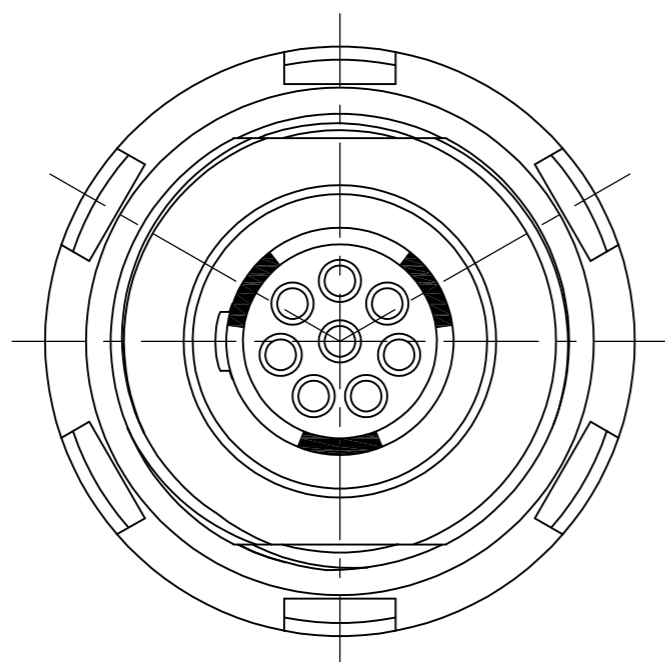
| LOC |     | DIST                       |           | REVISIONS |      |  |  |
|-----|-----|----------------------------|-----------|-----------|------|--|--|
| P   | LTR | DESCRIPTION                | DATE      | DWN       | APVD |  |  |
| C   |     | REVISED PER ECO 13-001843. | 08FEB2013 | MGM       | CT   |  |  |



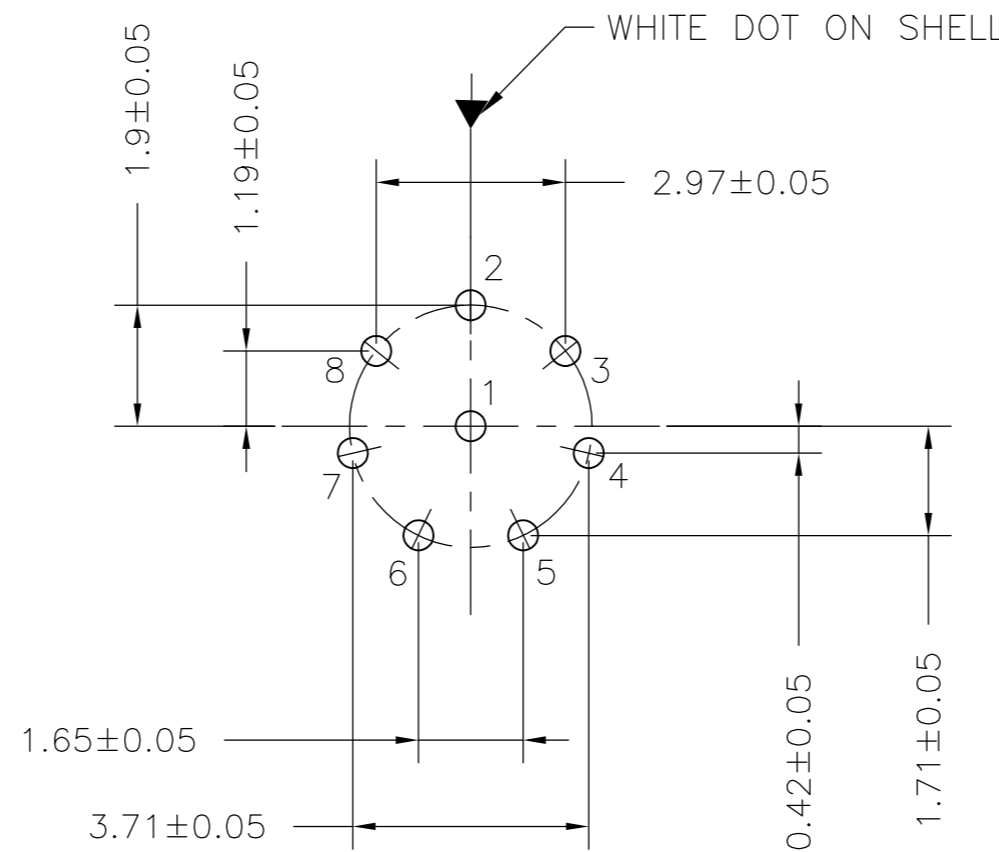
SINGLE POLARIZATION



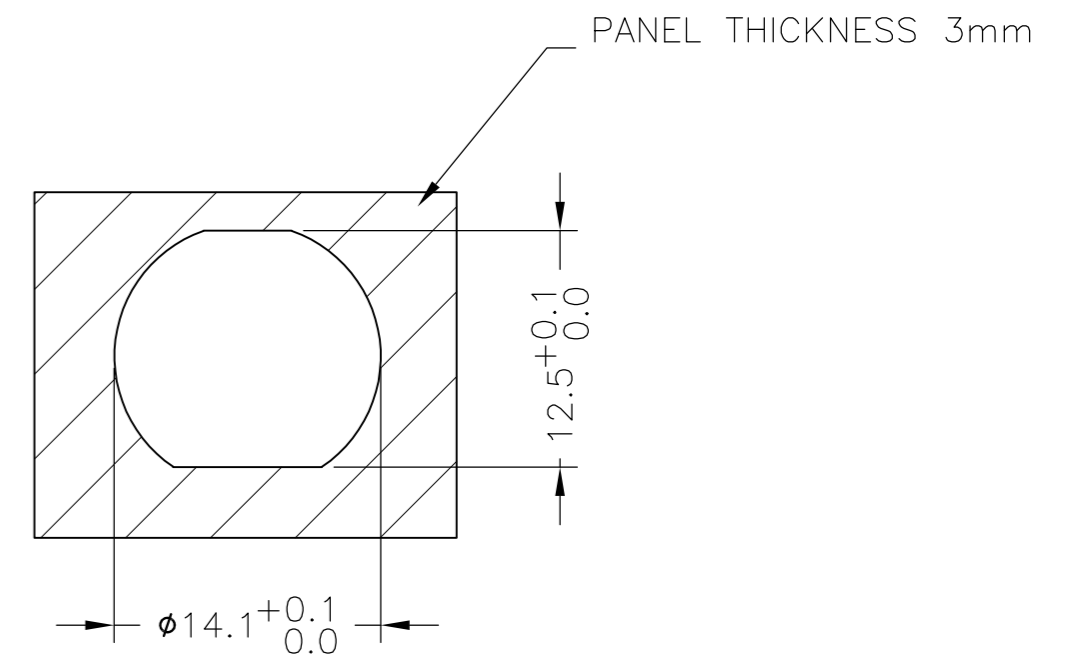
DOUBLE POLARIZATION



THREE KEY POLARIZATION



CAVITY IDENTIFICATION WHEN VIEWED FROM REAR OF CONNECTOR



PANEL CUTOUT

1 THE PART IS MARKED WITH THE TE PART NUMBER, CHINA, DATE CODE AND LOT ID.

2. DWV RATING: 725VAC @ SEA LEVEL

3. WORKING TEMPERATURE: -55°C ~ +125°C

4 MATERIAL:  
 CONTACT : COPPER ALLOY  
 SHELL : COPPER ALLOY  
 INSULATOR : PEEK  
 O RING : SILICON RUBBER

5 FINISH  
 CONTACT: GOLD OVER NICKEL  
 SHELL : BLACK CHROMIUM

6. WATER PROOF: 1M IMMERSION.

7 ALL TOLERANCES TO BE ±0.20MM UNLESS NOTED.

|                |              |             |      |      |       |     |             |     |            |                   |
|----------------|--------------|-------------|------|------|-------|-----|-------------|-----|------------|-------------------|
| CHROMIUM-BLACK | THREE        | SOLDERING   | 2.54 | Ø0.5 | 15.45 | Ø14 | M14X1       | Ø18 | 2          | 2157375-3         |
| CHROMIUM-BLACK | DOUBLE       | SOLDERING   | 2.54 | Ø0.5 | 15.45 | Ø14 | M14X1       | Ø18 | 2          | 2157375-2         |
| CHROMIUM-BLACK | SINGLE       | SOLDERING   | 2.54 | Ø0.5 | 15.45 | Ø14 | M14X1       | Ø18 | 2          | 2157375-1         |
| FINISH         | POLARIZATION | TERMINATION | N    | d    | L     | T   | M<br>THREAD | D   | SHELL SIZE | TE PART<br>NUMBER |

|  |        |                                |                 |  |                         |       |   |   |       |   |      |       |   |   |       |   |   |        |   |    |                  |               |  |  |
|--|--------|--------------------------------|-----------------|--|-------------------------|-------|---|---|-------|---|------|-------|---|---|-------|---|---|--------|---|----|------------------|---------------|--|--|
| THIS DRAWING IS A CONTROLLED DOCUMENT.   |        | DWN<br>C.C THOMAS<br>24FEB2011 |                 | TE Connectivity  |                         |       |   |   |       |   |      |       |   |   |       |   |   |        |   |    |                  |               |  |  |
| DIMENSIONS:<br>mm  |        | CHK<br>R. GROSS<br>24FEB2011   |                 | NAME<br>CIRCULAR HD RECEPTACLE WITH SOCKET CONTACTS<br>JAM NUT, FRONT MOUNTING, STRAIGHT PCB |                         |       |   |   |       |   |      |       |   |   |       |   |   |        |   |    |                  |               |  |  |
| TOLERANCES UNLESS OTHERWISE SPECIFIED:   |        | APVD<br>R. GROSS<br>24FEB2011  | PRODUCT SPEC    |  |                         |       |   |   |       |   |      |       |   |   |       |   |   |        |   |    |                  |               |  |  |
| <table border="0"> <tr><td>0 PLC</td><td>±</td><td>-</td><td rowspan="5">7</td></tr> <tr><td>1 PLC</td><td>±</td><td>-</td></tr> <tr><td>2 PLC</td><td>±</td><td>0.20</td></tr> <tr><td>3 PLC</td><td>±</td><td>-</td></tr> <tr><td>4 PLC</td><td>±</td><td>-</td></tr> <tr><td>ANGLES</td><td>±</td><td>3°</td></tr> </table> |        | 0 PLC                          | ±               | -  | 7                       | 1 PLC | ± | - | 2 PLC | ± | 0.20 | 3 PLC | ± | - | 4 PLC | ± | - | ANGLES | ± | 3° | APPLICATION SPEC | RESTRICTED TO |  |  |
| 0 PLC  | ±      | -                              | 7               |  |                         |       |   |   |       |   |      |       |   |   |       |   |   |        |   |    |                  |               |  |  |
| 1 PLC  | ±      | -                              |                 |  |                         |       |   |   |       |   |      |       |   |   |       |   |   |        |   |    |                  |               |  |  |
| 2 PLC  | ±      | 0.20                           |                 |  |                         |       |   |   |       |   |      |       |   |   |       |   |   |        |   |    |                  |               |  |  |
| 3 PLC  | ±      | -                              |                 |  |                         |       |   |   |       |   |      |       |   |   |       |   |   |        |   |    |                  |               |  |  |
| 4 PLC  | ±      | -                              |                 |  |                         |       |   |   |       |   |      |       |   |   |       |   |   |        |   |    |                  |               |  |  |
| ANGLES   | ±      | 3°                             |                 |  |                         |       |   |   |       |   |      |       |   |   |       |   |   |        |   |    |                  |               |  |  |
| MATERIAL   | FINISH | WEIGHT                         | SIZE<br>A2      | CAGE CODE<br>00779   | DRAWING NO<br>C=2157375 |       |   |   |       |   |      |       |   |   |       |   |   |        |   |    |                  |               |  |  |
| CUSTOMER DRAWING   |        | SCALE<br>NTS                   | SHEET<br>1 of 1 | REV<br>C   |                         |       |   |   |       |   |      |       |   |   |       |   |   |        |   |    |                  |               |  |  |